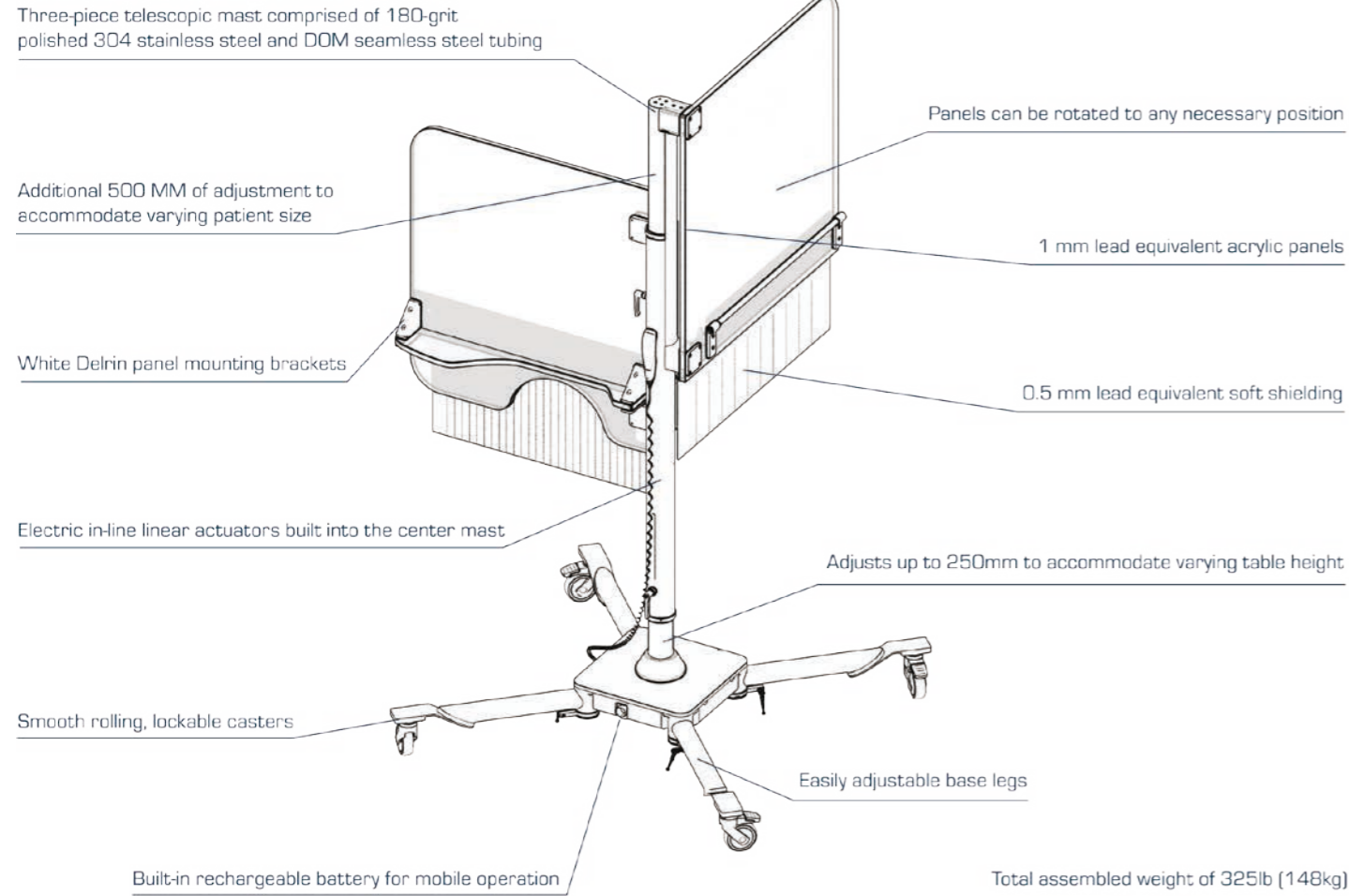


One device.  
Multiple access  
points.



## CHANGE THE WAY YOU WORK, FOR GOOD.

Comprehensive protection for the team without the need for heavy lead.







**RAMPART IC M1128**  
**PROTECT YOURSELF, YOUR TEAM**  
**AND YOUR CAREER.**

**COMPREHENSIVE RADIATION PROTECTION FOR THE TEAM – WITHOUT THE BURDEN OF HEAVY LEAD.**

**THE PROBLEM:**

For decades, interventionalists and staff have relied on lead aprons to protect themselves from the scatter radiation prevalent in the cath lab. But over time, the weight of those aprons can cause long-term, sometime debilitating, injuries.

**THE SOLUTION:**

Rampart—a fully adjustable and portable system that provides proven, full-bodied, radiation protection for doctors as well as their technicians without the need for heavy lead aprons\*. This revolutionary technology not only provides freedom and ease of movement, but eliminates the physical wear and tear of wearing lead.

\*When used as directed with under table radiation protection

**THE BEGINNING:**

As one of the highest-volume ICs in the country, Dr. Bob Foster has been wearing lead vests almost every day for 20 years. And, much like the 60% of interventional cardiologists who suffer from work-related back issues, that burden finally took its toll\*.

Bob, a triathlon runner in peak physical health, suffered a ruptured disk, causing him to miss a month of work. After returning from that injury, he suffered another ruptured disk, causing a month-long paralysis in one leg, three months of missed work and two years out of the cath lab.

That's when Dr. Foster decided it was time to do something about the literal burden being placed on ICs. Drawing from his experiences, Dr. Foster, along with a team of designers and engineers, created Rampart with a singular goal in mind—to provide comprehensive, apron-free protection, so ICs and their teams can continue to do what they do best, longer than ever before.

\* Goldstein JA, Balter S, Cowley M, Hodgson J, Klein LW. Occupational hazards of interventional cardiologists: Prevalence of orthopedic health problems in contemporary practice. Catheter Cardiovasc Interv 2004;63:407-411.

**IT'S TIME TO CHANGE THE WAY YOU WORK, FOR GOOD.**

**How it Works:**

The M1128 is a radiation shield that suppresses radiation scatter via multiple lead acrylic panels, protecting both the physician, and their team.

**KEY FEATURES:**

- ▶ 22mm thick acrylic panels with a pure lead equivalence of 1mm
- ▶ Panel adjustments allows for different physician and technician heights, patient girth, and a variety of different procedure configurations
- ▶ Adjustments are aided by electronic motors equipped with rechargeable battery pack
- ▶ Sturdy base mounted on lockable, smooth-rolling, casters for efficiencies in emergent situations, quicker set up, convenient storage, and overall smaller cath lab footprint
- ▶ Sterile drape kit that includes 5 separate drapes, designed and easily labeled, for faster and easier set up and cleaning
- ▶ All panels fold up for easy storage and minimal cath lab footprint

**KEY BENEFITS:**

- ▶ Eliminates the need for heavy lead aprons for the physician and team
- ▶ Full-body radiation coverage when combined with the use of under table lead drapes
- ▶ Radiation protection extends from the right of the operator to the foot of the table
- ▶ Allows for longer and more complex procedures
- ▶ Increases potential for longer careers with the elimination of the apron
- ▶ Potential for fewer work days missed and workman's comp claims filed
- ▶ Does not isolate the physician from their team or limit mobility



**LET'S TALK**

For more information about Rampart please email [info@epsvascular.com](mailto:info@epsvascular.com)



**SHED THE LEAD™**